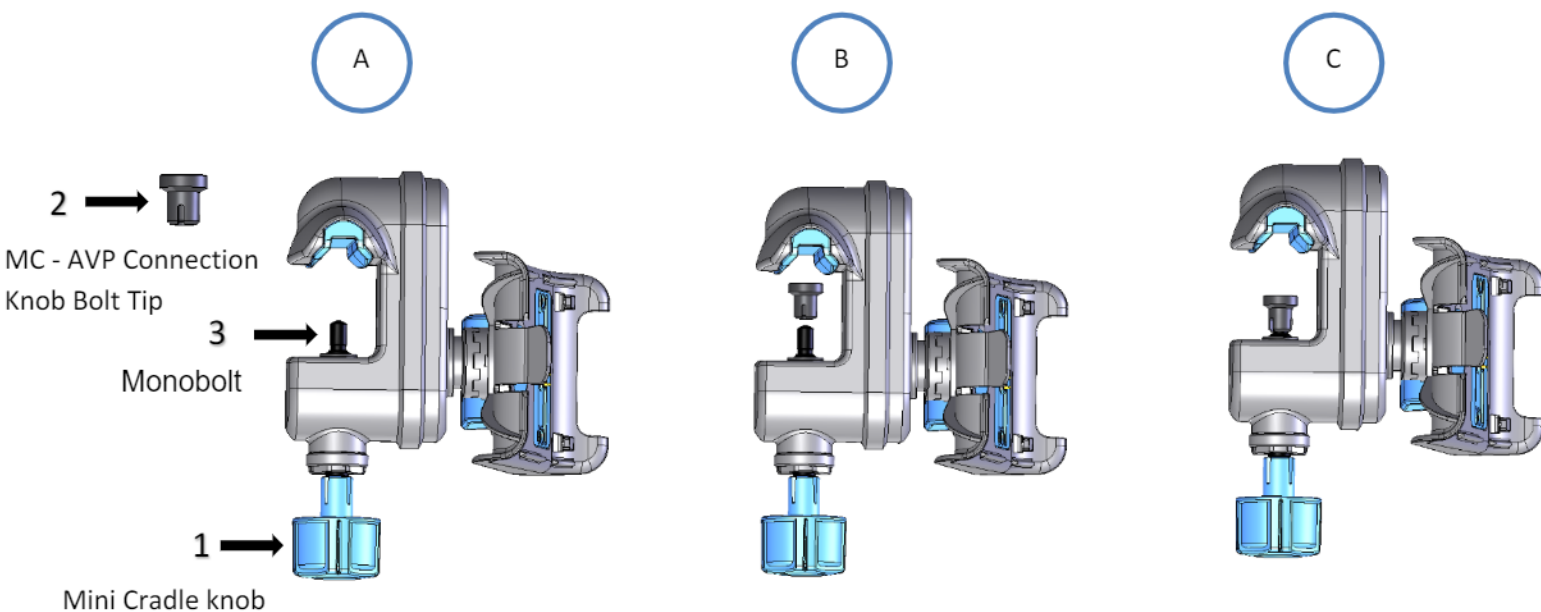


#	Component Name
1	Mini Cradle knob
2	MC - AVP Connection Knob Bolt Tip
3	Monobolt

- A Release the Mini Cradle Knob by rotating it counterclockwise- as demonstrated in picture A.
- B Align the MC - AVP Connection Knob Bolt Tip on top of the Monobolt .
- C Press the MC - AVP Connection Knob Bolt Tip on to the Monobolt until you hear a click.



This is a representation of an electronic record that was signed electronically and this page is the manifestation of the electronic signatures.

Signatory Table

Action Name	User Name	Title	Signature Date
Send for Review (Written By)	Tal Ofer	Product Manager	12-Jan-2020 12:15 (GMT+3)
Send for Approval	Tal Ofer	Product Manager	20-Jan-2020 10:16 (GMT+3)
Approve	Lilach Tamir	Director of Product Management	22-Jan-2020 05:40 (GMT+3)
QA Approval QA Approve	Faina Manuvahov	QA Engineer	22-Jan-2020 18:34 (GMT+3)
Sign Training Completion	Faina Manuvahov	QA Engineer	26-Jan-2020 17:14 (GMT+3)